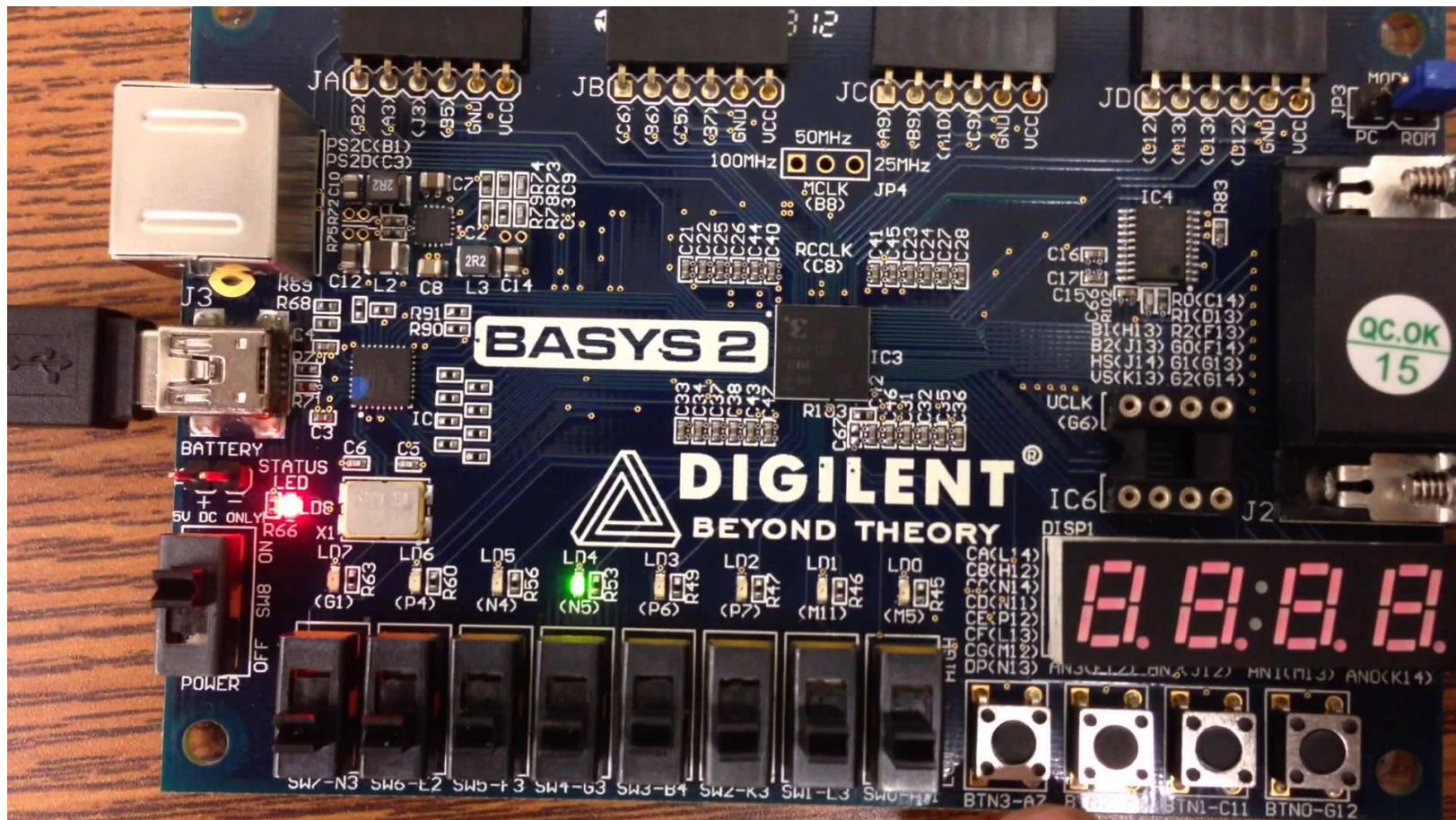


Module 9

# **BASYS 2 Board**

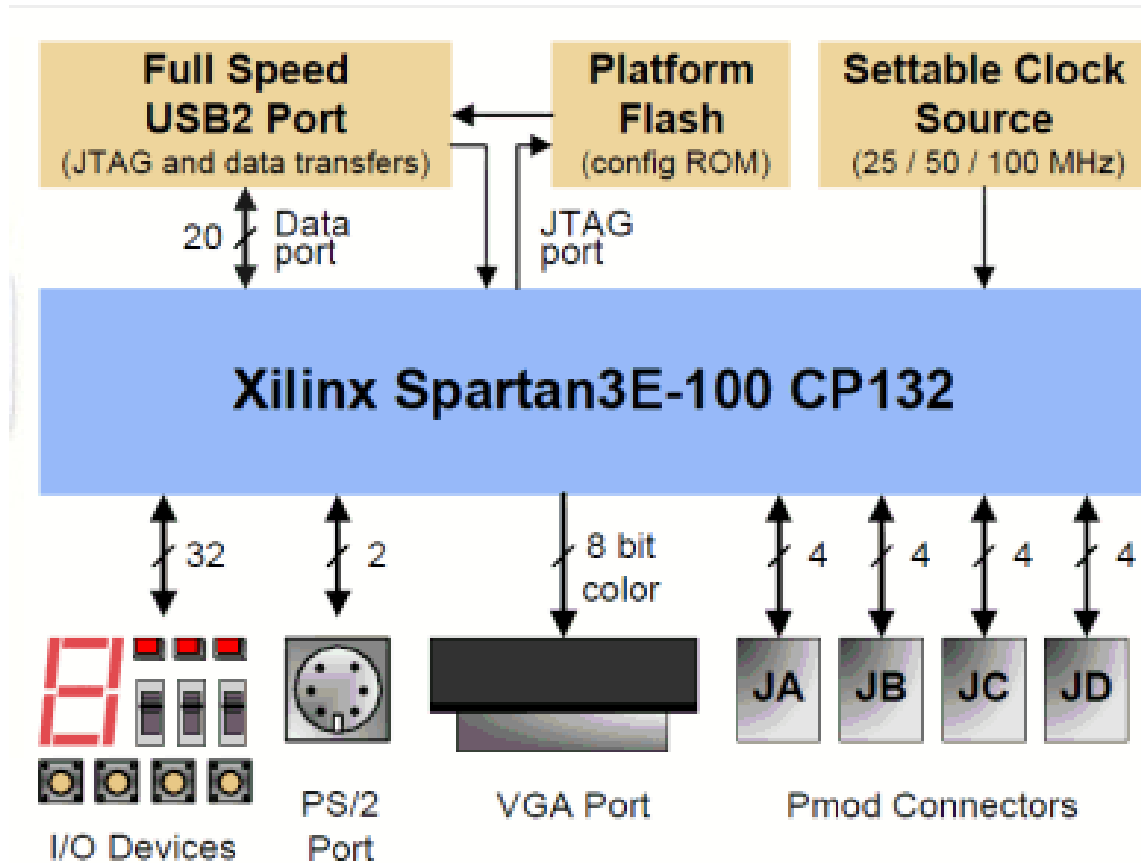
# BASYS 2 Board



# Purchasing

- Digilent
  - \$89.00
  - \$69.00 (Students Only)
- Amazon
  - \$100.00

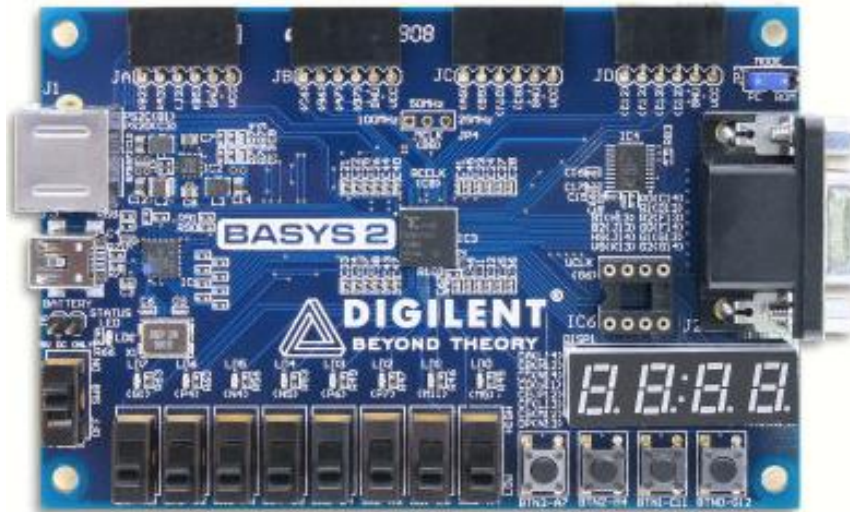
# Block Diagram



# Peripherals

- LED's
- Switches
- Pushbuttons
- Seven Segment Display

# Reference Material



FPGA TECHNOLOGIES PROVIDED BY

